



WATER MATRIX™
THE FUTURE OF WATER SOLUTIONS

PRODUCT SPECIFICATIONS

Model No.	PROFICIENCY COMFORT HEIGHT
N7716 SR	Round Front, 3.0 lpf Single flush, Two-piece toilet



FEATURES



ULTRA HIGH EFFICIENCY FLUSH

Our patented air transfer system delivers a swift and quiet, yet powerful flush with just 3 litres of water.



SOFT-CLOSE SEAT

The toilet lid and seat close with a light touch, preventing slamming. Moulded with durable, heavy-duty break-resistant plastic.



LARGE WATER SURFACE

Air is transferred to the trapway during filling of the tank, exerting positive pressure on the water in the bowl and creating a larger surface.



COMPACT DESIGN

Install and renovate with ease. Have more room for vanities, shelving, or cabinets.



SUPERIOR ENGINEERED CERAMICS

High-glazed vitreous china provides a smooth, low-friction surface.



STYLISH FLUSH BUTTON

Inconspicuous, top-mounted, break-resistant, spring-loaded, and finished in polished chrome.

Hennessy & Hinchcliffe



BUILD GREEN
accrue LEED Canada credit points:

UP TO **6** LEED POINTS
For commercial buildings

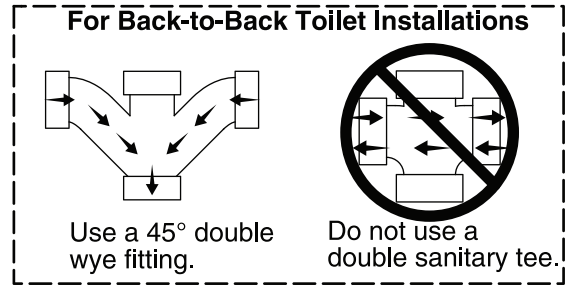
UP TO **2** LEED POINTS
For residential buildings



Model No.	PROFICIENCY COMFORT HEIGHT
N7716 SR	Round Front, 3.0 lpf Single flush, Two-piece toilet

PERFORMANCE

The Proficiency harnesses the energy of water filling the tank to pressurize the trapway via a patented air transfer system. When flushed, air is sucked out of the trapway, initiating the highly efficient siphonic action. This new technology gives the Proficiency the leading edge in water efficiency, achieving the lowest flush volume of any toilet in the industry.

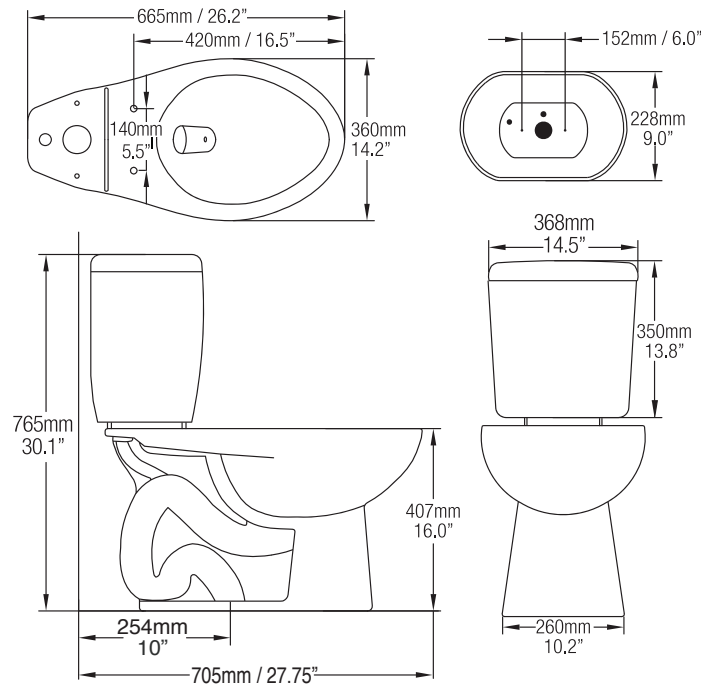


SPECIFICATIONS

Water Usage	3.0 lpf / 0.80 gpf
Flush System	Patented Air Transfer System - Canadian-engineered
MaP Rating	800g
Water Pressure Range	Variable
Water Surface Area	7¼" X 9¼" (184 mm X 235 mm)
Trap Diameter	2" (51 mm)
Trap Seal	2-3/8" (60 mm)
Rough-In	10" (254 mm)
Large Footprint	10-1/5" X 20-3/5" (260 mm X 525 mm)
Material	High glaze vitreous china
Colours	White
Warranty	Lifetime on china 10-year warranty on air transfer system; 1-year on valves
	Eligible for the highest tier of municipal toilet rebates, where available
	Complies with ASME A112.19.2 and CSA B45 codes and surpasses standards for MaP and drainline carry capacity



DIMENSIONS



Ultra High Efficiency Toilet
UHET

SHIPPING DIMENSIONS & WEIGHT

N7715 TANK

16" x 16" x 10"
(406mm x 406mm x 254mm)
30 lbs. (13.6 kg)

N7716 SR BOWL

27" x 16" x 18"
(686mm x 406mm x 457mm)
52 lbs. (23.6 kg)

Specifications are subject to change without notice.

Distributed & marketed by:



WATER MATRIX™
THE FUTURE OF WATER SOLUTIONS

Head Office

7930 Huntington Rd, Unit 3, Vaughan, Ontario, Canada L4H 4M8
Tel: (905) 850-8080 Fax: (905) 850-9100 Toll-Free: 1-800-668-4420
Email: sales@watermatrix.com Website: www.watermatrix.com